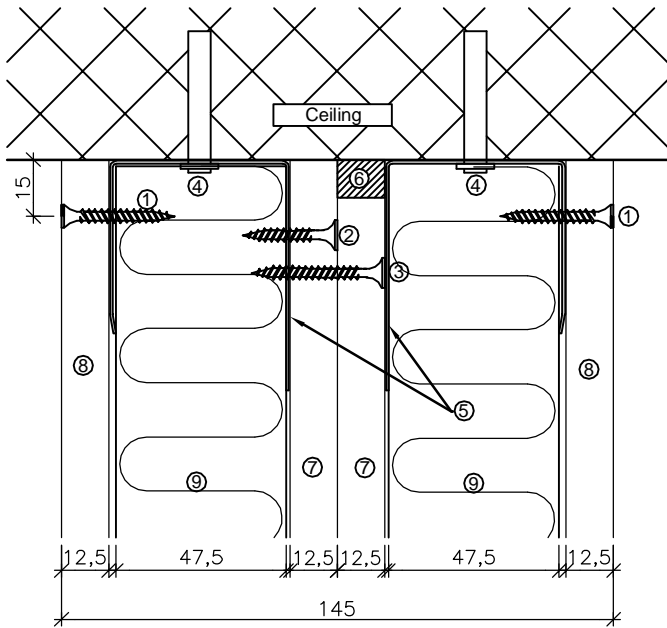
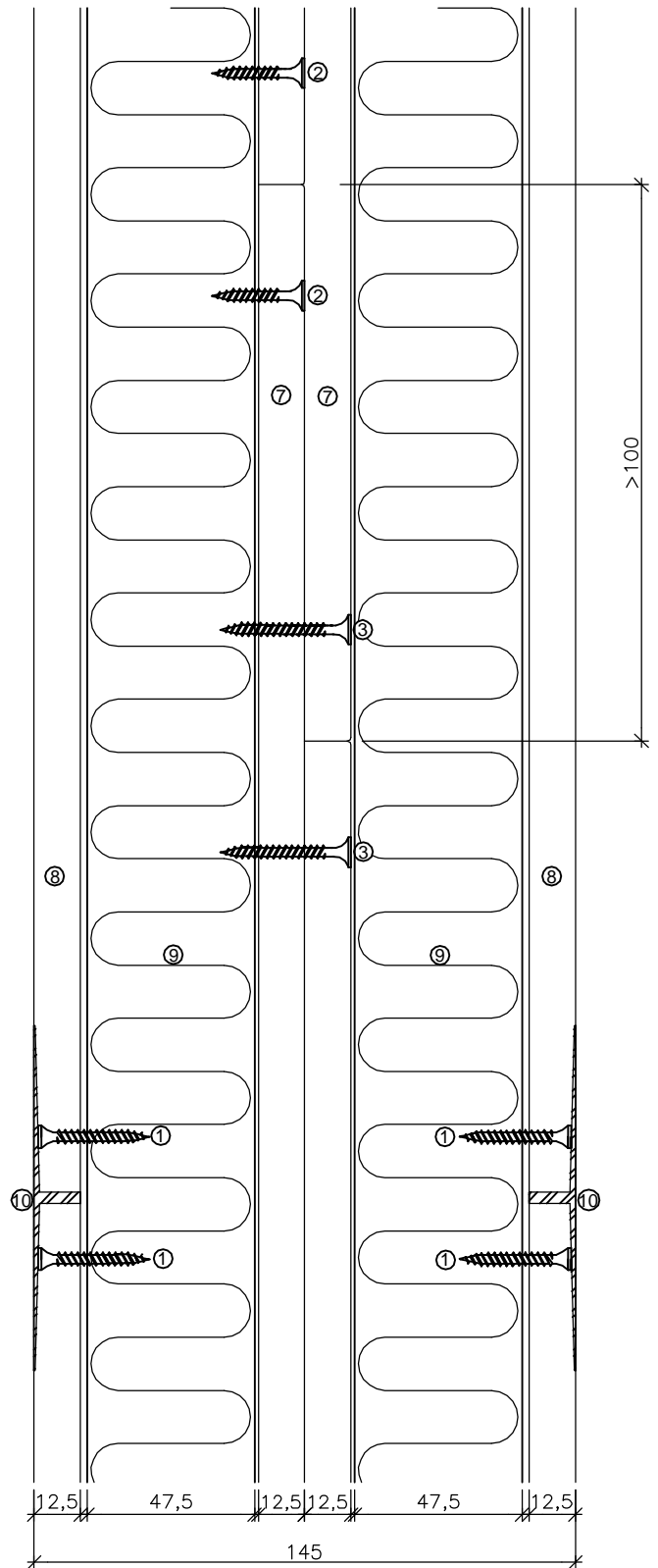


Detail A

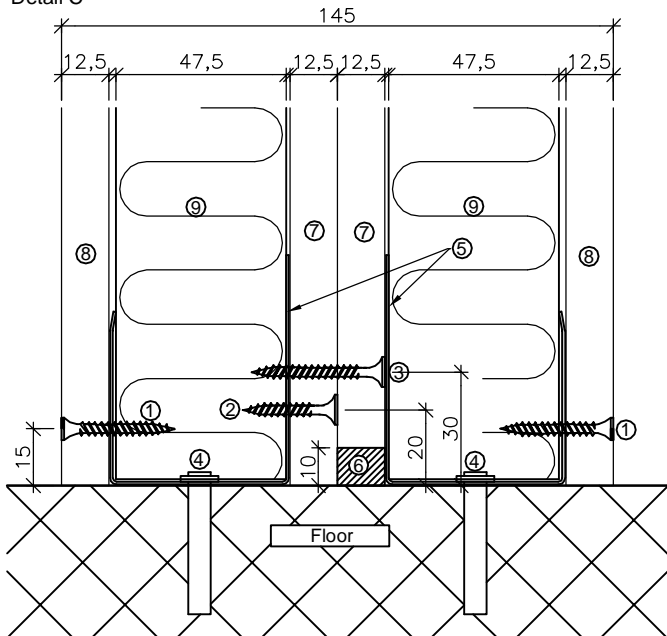


Detail B



- ① Knauf Danoline screw SN 3,5x30
- ② Knauf Danogips screw RA25
- ③ Knauf Danogips screw RA35
- ④ Fixation to floor/ceiling every 600 mm
- ⑤ Sonocare C47, wallprofile
- ⑥ Knauf Danogips acrylic sealant nr. 1
- ⑦ Knauf SilentBoard-Sonder 12,5x625x1800 mm
- ⑧ Knauf Danoline wall lining, e.g. Designpanel
- ⑨ Knauf Insulation Eco Batt 0,37
Special size 45 x 305 (610) x 1250 mm
- ⑩ Joint filler, e.g. Knauf Danogips Easy filler
with paper tape reinforcement.

Detail C



Project: Sonocare Wall

Subject: Detail A, B and C (Connection to floor / ceiling - vertical section)

Draw. no.:

130301-850-11

Scale: 1:2

Date: 01.03.2013

Rev.:

Sign.: NPJ

Project no.:

File:

KNAUF DANOLINE

Knauf Danoline A/S Kløvermarksvej 6, DK-9500 Hobro
T: +45 9657 3000 F: +45 9657 3001
www.knaufdanoline.com - info@knaufdanoline.com